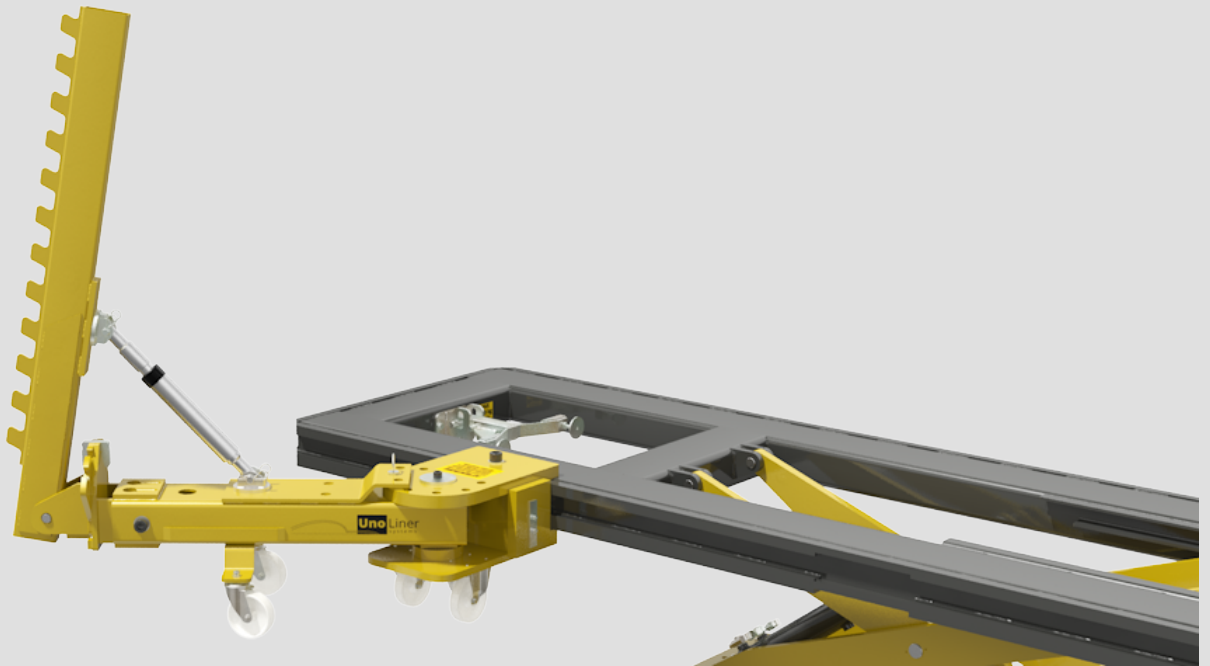


P10 Draw Aligner



The UnoLiner P10 Draw Aligner: the complete pulling tower system. The P10 Draw Aligner is compatible with all UnoLiner straightening benches. Because of its horizontal and vertical hinging, the P10 can be positioned 360 degrees around a vehicle. UnoLiner's one-bolt locking system enables fast and secure attachment to any UnoLiner straightening bench.

Features

- ✓ 360 degrees positioning on frame
- ✓ Packs 10 tons of pulling power
- ✓ Compatible with all UnoLiner alignment benches
- ✓ Multiple hydraulic cylinder attachment points
- ✓ "Quick Lock" one-bolt locking system
- ✓ Simultaneous 10-ton pulling with multiple P10s



Technical data

Pulling power	10 tons
Horizontal positioning	180 degrees
Vertical arm positioning	80 degrees
Pulling tower height	1450 mm
Pull Tower Extension (option)	870 mm
Positioning on frame	360 degrees

