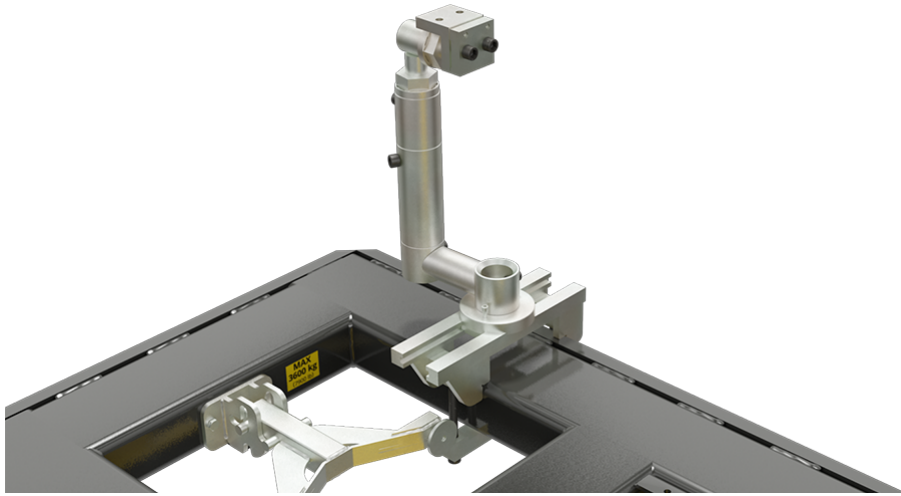


A20 3D Anchor Set



The UnoLiner A20 3D Anchor Set is perfect for clamping and holding individual car body panels, chassis sections, and miscellaneous parts in position while conducting vehicle repairs such as body panel replacement and aligning, welding, and chassis straightening. The A20's rotatable support and head provide extra flexibility and range.

Features

- ✓ Universal support jig clamp
- ✓ Easily position parts
- ✓ Usable anywhere on the bench frame
- ✓ 360 degrees adjustable foot, head and clamp
- ✓ Height extendible

Technical data

Height above bench	250-725	mm
Optional extension small	100	mm
Optional extension big	200	mm

